

Pin Description

CN1 (TM1252S-08)

Pin No.	Description
1	LED0
2	LED1
3	GND
4	Rx-
5	Rx+
6	Tx-
7	Tx+
8	+12V

J1 (YSC-1533)

Pin No.	Description
1	AUX Input
2	GND

J2 (RJ-45)

Pin No.	Description
1	Tx+
2	Tx-
3	Rx+
4	VA1
5	VA2
6	Rx-
7	VB1
8	VB2

* See CN1 specification

Input condition & Output ratings

1. Input Condition

- 1) Rated Voltage : PoE(802.3af), DC12V
- 2) Variable Scope for Input voltage
 - PoE(802.3af; 36Vdc~57Vdc)
 - DC Input (출력 단과 Wired OR; 12Vdc)
- 3) Operating Temperature : -20 ~ 70 Ta/°C (Typ. 25°C)

2. Output Ratings

- 1) Rated Voltage : +12V
- 2) Output Power : 12W Max.
- 3) Regulated Output Current Variation : 0.1A ~ 1.0A
- 4) Regulated Output Voltage Variation : 12V±5%
- 5) Ripple & Noise : 200mVp-p (Max.)

* CN1 Detail specification

[PoE(TW-C400P) side]



Harness

No.	J1 (53398-0871)	Color
1	LED0	White
2	LED1	Blue
3	GND	Orange
4	Rx-	Yellow
5	Rx+	Green
6	Tx-	Red
7	Tx+	Brown
8	+12V	Black

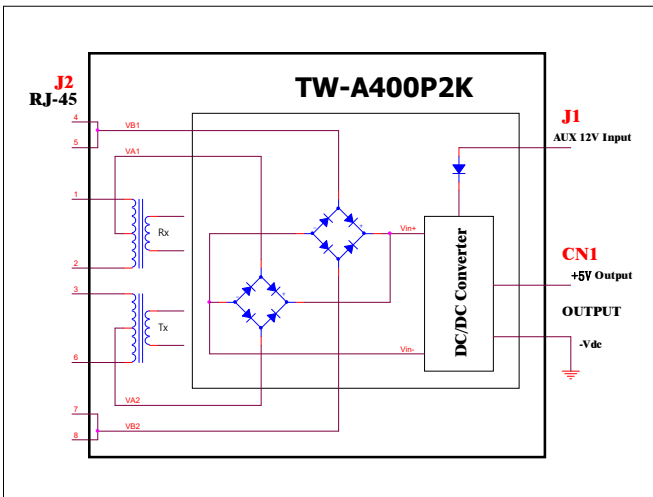
[Target 측]

No.	J1 (53398-0871)	Color
1	+12V	Black
2	Tx+	Brown
3	Tx-	Red
4	Rx+	Green
5	Rx-	Yellow
6	GND	Orange
7	LED1	Blue
8	LED0	White



Harness

Block Diagram



Dimension

Unit: mm

